

DATA SHEET



## Dolphin Developers Kit EDK 300 and EDK 300C

**EDK 300(C) is a comprehensive developer kit to implement innovative applications for the fast growing market of self-powered devices. It offers both plug'n play features and the possibility to start complex hardware and software design for new products based on EnOcean's Dolphin EO3000i platform.**

### EDK 300(C) supports development with following EnOcean modules

- TCM 300 (868MHz) or TCM 300 (315MHz)
- TCM 320 (868MHz) or TCM 320C (315MHz)
- STM 300 (868MHz) or STM 300C (315MHz)

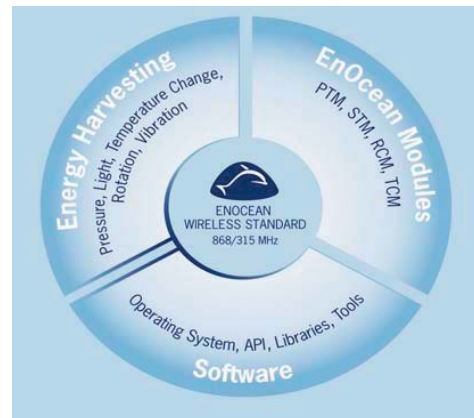
The distinguishing feature that sets Dolphin apart from other wireless system architectures is energy harvesting. This enables a broad variety of self-powered wireless sensor/actuator applications.

EDK 300 supports line powered applications based on TCM 3x0 and self-powered applications based on STM 3x0 modules including energy conversion and storage.

EnOcean modules come already with a pre-defined feature set for energy management, data acquisition, data processing and wireless data transmission. User specific applications can be implemented based on the new application programming interface (API).

### Key features TCM 3x0 evaluation board

- Supports all line powered applications e.g. switching actuator, gateway and repeater
- Programmer interface for customer specific applications
- Two slots for TCM 300 and TCM 320 modul
- Easy prototyping of customer specific HW with patch area, jumpers and pin connectors for all signals
- LEDs for I/O pins, PWM and signal strength indication
- Supports all operation modes of TCM 3x0
- Detailed Application notes and FW examples



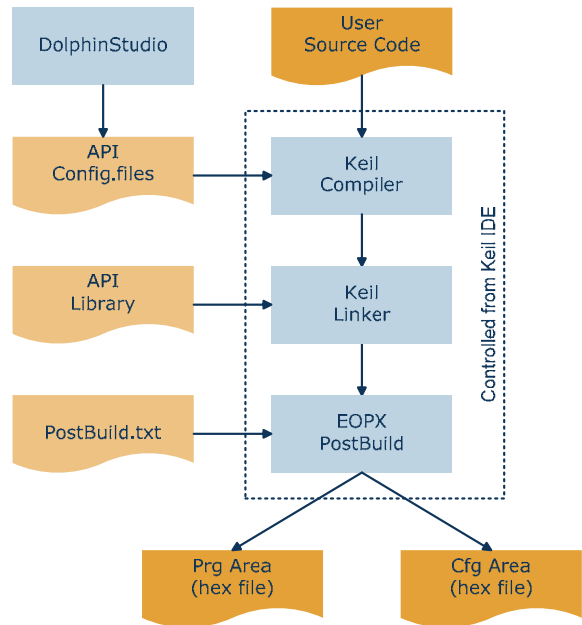
### Key features STM 300 evaluation board

- Designed for battery less concepts with multiple energy harvesters
- Onboard solar cell and energy management
- Additional plug-ins for external solar, thermo, push button, piezo and vibration harvesters
- Multiple energy storages: onboard short-/long term capacitor, gold-/supercap
- Onboard temperature sensor, brightness sensor, potentiometer and energy storage voltage measurement circuit
- Signal LEDs for output signals
- Easy prototyping of customer specific HW with patch area, jumpers and pin connectors
- Default FW supports all STM 300 sensor features e.g. data acquisition and transmission
- Programmer interface for customer specific applications
- Detailed Application notes and FW examples

**Benefits for developers**

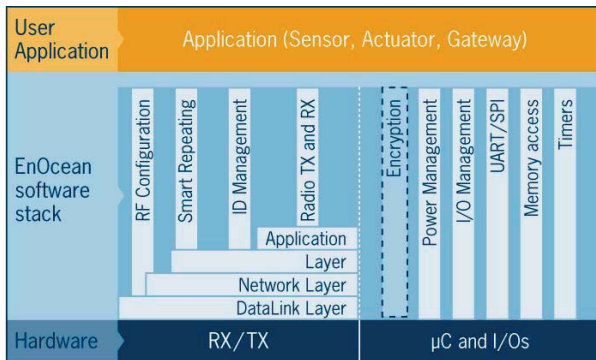
- Plug and play development kit for the EnOcean Dolphin EO3000i platform
- Supports software and hardware development
- Comprehensive PC software for fast and easy development of self-powered sensors and actuators
- Competitive advantage over battery-powered wireless solutions
- Technical support via Email and Forum
- EnOcean is the wireless standard for sustainable buildings

**Development process**



**Dolphin API**

Application programming interface to implement customer specific firmware based on the comprehensive Dolphin platform.



**WinEtel**

Just connect evaluation board with the PC and you can send, receive and analyze all EnOcean radio telegrams with this PC program.

**Dolphin Studio**

Powerful PC program for configuration (e.g. RF parameters and IO Pin configuration) and programming of Dolphin chip based modules.

**Optional Keil PK51 EnOcean Edition**

Keil PK51 optimized for the EnOcean Dolphin platform. Supports max 8k application size plus EnOcean API library.

**EDK 300(C) content**

- 1x EVA 300 (TCM 3x0) evaluation board
- 1x EVA 320 (STM3 00) evaluation board
- 1x TCM 300(C) with adapter board
- 1x STM 300(C) with adapter board
- 1x TCM 320(C)
- 1x Self-powered switch PTM 200(C)
- 2x USB cable
- 1x Power supply
- 2x EOP 300 Programmer
- 1x Software CD
- 1x Getting Started Manual

**Type**

**EDK 300**  
**EDK 300C**  
**EOP 300**  
**Keil PK51 EO**

**Ordering Code**

**S3004-X300**  
**S3034-X300**  
**S3005-X310**  
**S3005-X300**