

CGM6812-B00 - Pre-calibrated module for combustible gas

Features:

- * Linear analog output proportional to gas concentration
- * Maintenance free
- * Compact size
- * Meets RoHS requirements

Applications:

- * Gas leak detection in fuel cell systems
- * Hydrogen & combustible gas leak detectors

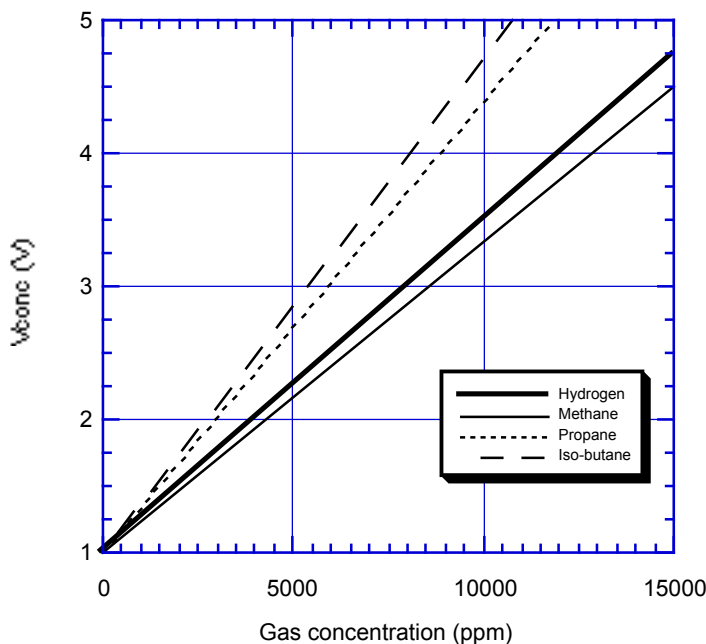
The **CGM6812-B00** combustible gas sensor module is a new unit which utilizes **TGS6812**, Figaro's catalytic pellistor type gas sensor which features durability and stability. This module provides analog output voltage proportional to hydrogen gas concentration. CGM6812-B00 has conformal coatings for moisture-proofing and electrical insulation purposes, and is also capable of detecting sensor wire breakage. The unit has a wide range of operating temperature from -10° to +60°C.

Because the TGS6812 sensor can detect methane and LP gas as well as hydrogen, this module is suitable for gas leak detection in stationary fuel cells which use hydrogen generated from combustible gases.



Sensitivity Characteristics

The figure below represents typical sensitivity characteristics, all data having been gathered at standard test conditions (see reverse side of this sheet). The Y-axis is indicated as output voltage.



Pin No.	Name	Description
1	GND	Common ground
2	NC	Any connection prohibited
3	NC	Any connection prohibited
4	VCONC	Concentration output voltage
5	VIN	Input voltage

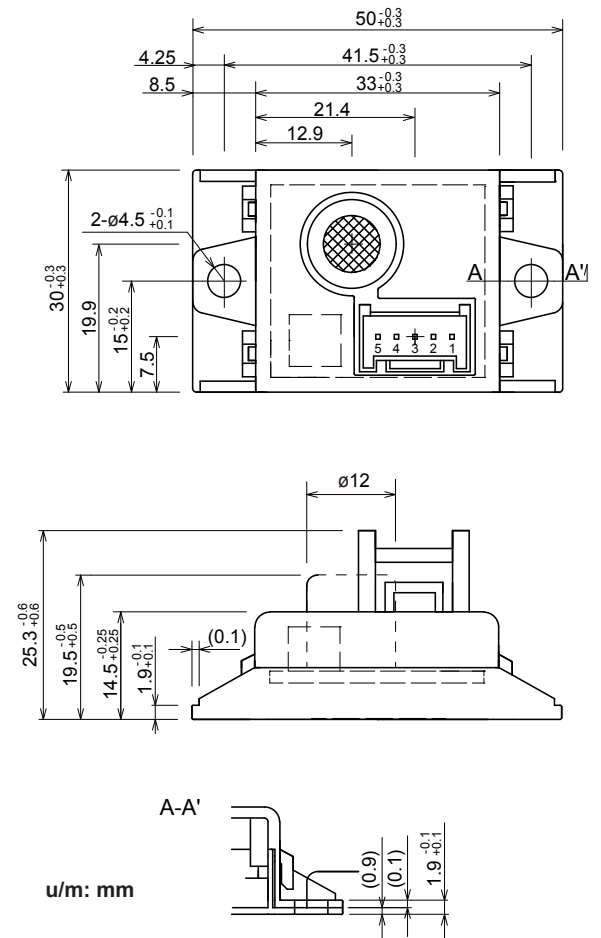
CGM6812-B00 Pin Connections
 (Connector model BH05B-XMSK)
 Recommended receptacle for connector: XMP-05V

Specifications

Product name	Combustible gas sensor module	
Model No.	CGM6812-B00	
Gas sensor	TGS6812 (catalytic type)	
Detection range	0 ~ 14,000ppm H ₂ <i>(also can detect methane, iso-butane, and propane)</i>	
Output voltage (V _{conc})	1~4.5V DC typical (up to max VIN)	
	Conversion to H ₂ concentration	$V_{out}=[H_2 \text{ conc(ppm)}/4000] + 1.0$
	Trouble	$V_{conc}=0-0.1V(*)$
Factory setting output	V _{conc} in air	1.0±0.2V
	V _{conc} in 8000ppm H ₂	3.0±0.2V
Response time (T ₉₀) to 4000ppm H ₂	≤30 seconds	
Warm-up time (V _{conc} <2.0V)	≤30 seconds (time to V _{conc} <2.0V in air)	
Operating conditions	-10°~+60°C, 20~95%RH (avoid condensation)	
Storage conditions	-10°~+60°C, 20~95%RH	
Input voltage (VIN)	5.0±0.2V DC	
Power consumption	≤1.5W	
Weight	15g or less	
Dimensions	50 x 30 x 25.3mm	
Position dependency	Since the module has position dependency, it should be mounted so the two lug-holes are in a horizontal position	
Standard test conditions	Ambient conditions	20±2°C, 65±5%RH
	Circuit conditions	5.0±0.2V DC
	Conditioning period prior to test	≥10 minutes

(*) recommended threshold for trouble detection = 0.2V

Dimensions



FIGARO ENGINEERING INC.

1-5-11 Senba-nishi
Mino, Osaka 562 JAPAN
Phone: (81)-72-728-2561
Fax: (81)-72-728-0467
www.figaro.co.jp
email: figaro@figaro.co.jp

REV: 07/16

Contact:

UNITRONIC GmbH
Mündelheimer Weg 9
40472 Düsseldorf

Telefon 0211 / 95 110
Telefax 0211 / 95 11 111
info@unitronic.de

UNITRONIC
ELECTRONICS