

# Ultrasonic Flow Sensor Module

## FS000X Series

### ■ Features

- Measuring pipe made of molded engineering plastic to ensure high ruggedness and reliability
- Up to 2% accuracy and immunity to environment impact
- Turndown ratio up to 160
- Approved for drinking water
- Digital output with M-BUS serial communication

### ■ Introduction

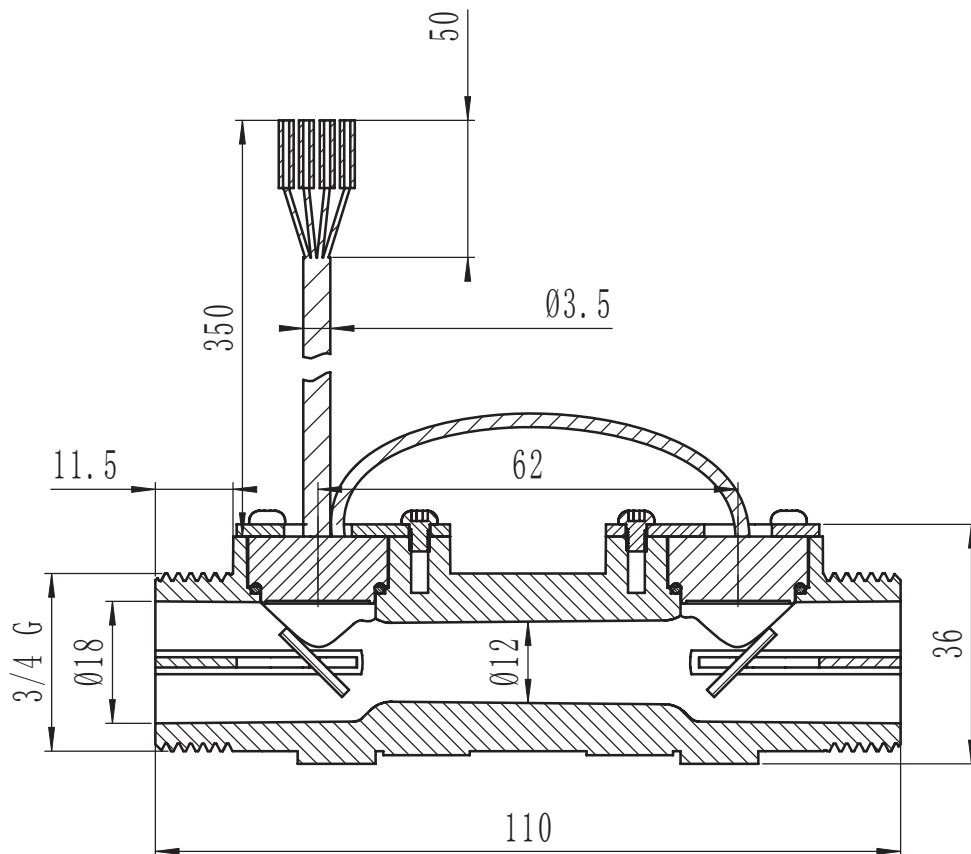
The Ultrasonic Flow Sensor Module measures the flow rate of liquid by calculating the transit time difference of upstream and downstream ultrasonic pulses. It contains no moving part in the pipe section, and therefore has lower pressure loss and higher accuracy than traditional flow meters.

### ■ Applications

- Measuring the outflow of water heaters
- Intelligent water management system
- Industrial equipment
- Smart irrigation system



FS0001



FS0002

