

TGS 2610 - for the detection of LP Gas

Features:

- * Low power consumption
- * High sensitivity to LP and its component gases (e.g. propane and butane)
- * Long life and low cost
- * Uses simple electrical circuit

Applications:

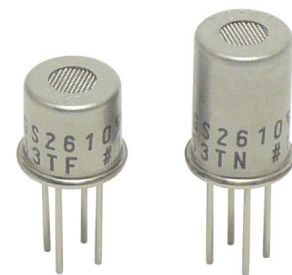
- * Residential LP leak detectors and alarms
- * Portable LP detectors
- * LP gas and vapor detection

TGS2610 is a semiconductor type gas sensor which combines very high sensitivity to LP gas with low power consumption and long life. Due to miniaturization of its sensing chip, TGS2610 requires a heater current of only 56mA and the device is housed in a standard TO-5 package.

The TGS2610 is available in two different models which have different external housings but identical sensitivity to LP gas. Both models are able to satisfy the requirements of performance standards such as UL1484 and EN50194.

TGS2610-C00 possesses small size and quick gas response, making it suitable for gas leakage checkers.

TGS2610-D00 uses filter material in its housing which eliminates the influence of interference gases such as alcohol, resulting in highly selective response to LP gas. This feature makes the sensor ideal for residential gas leakage detectors which require durability and resistance against interference gas.

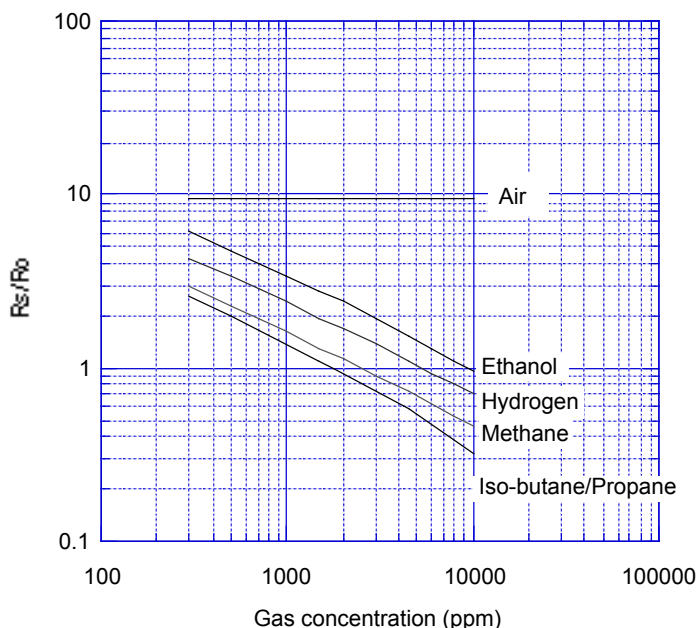


The figure below represents typical sensitivity characteristics, all data having been gathered at standard test conditions (see reverse side of this sheet). The Y-axis is indicated as sensor resistance ratio (R_s/R_o) which is defined as follows:

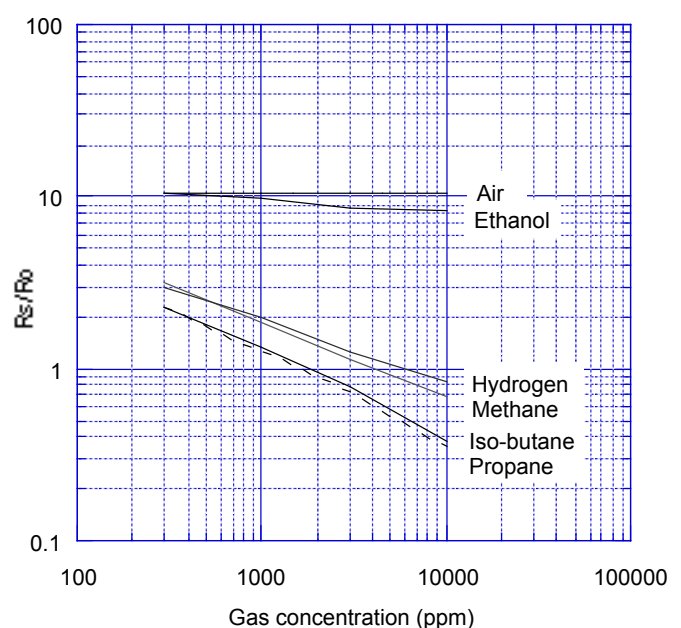
R_s = Sensor resistance in displayed gases at various concentrations

R_o = Sensor resistance in 1800ppm of iso-butane

TGS2610-C00 Sensitivity Characteristics:



TGS2610-D00 Sensitivity Characteristics:

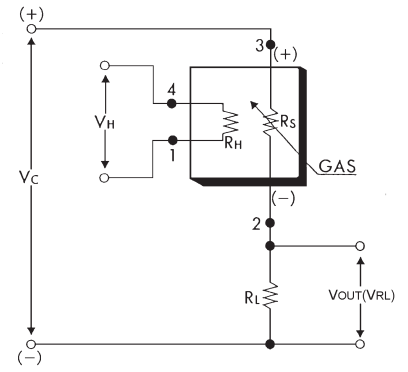


IMPORTANT NOTE: OPERATING CONDITIONS IN WHICH FIGARO SENSORS ARE USED WILL VARY WITH EACH CUSTOMER'S SPECIFIC APPLICATIONS. FIGARO STRONGLY RECOMMENDS CONSULTING OUR TECHNICAL STAFF BEFORE DEPLOYING FIGARO SENSORS IN YOUR APPLICATION AND, IN PARTICULAR, WHEN CUSTOMER'S TARGET GASES ARE NOT LISTED HEREIN. FIGARO CANNOT ASSUME ANY RESPONSIBILITY FOR ANY USE OF ITS SENSORS IN A PRODUCT OR APPLICATION FOR WHICH SENSOR HAS NOT BEEN SPECIFICALLY TESTED BY FIGARO.

Basic Measuring Circuit:

The sensor requires two voltage inputs: heater voltage (V_H) and circuit voltage (V_C). The heater voltage (V_H) is applied to the integrated heater in order to maintain the sensing element at a specific temperature which is optimal for sensing. Circuit voltage (V_C) is applied to allow measurement of voltage (V_{OUT}) across a load resistor (R_L) which is connected in series with the sensor.

A common power supply circuit can be used for both V_C and V_H to fulfill the sensor's electrical requirements. The value of the load resistor (R_L) should be chosen to optimize the alarm threshold value, keeping power dissipation (P_S) of the semiconductor below a limit of 15mW. Power dissipation (P_S) will be highest when the value of R_S is equal to R_L on exposure to gas.



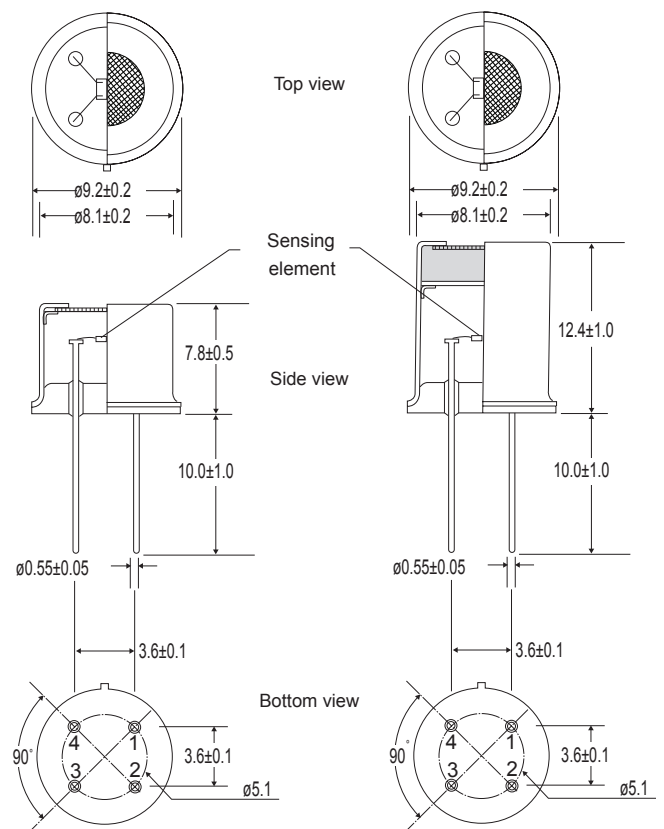
Specifications:

Model number		TGS2610	
Sensing principle		MOS type	
Standard package		TO-5 metal can	
Target gases		Butane, LP gas	
Typical detection range		500 ~ 10,000ppm	
Standard circuit conditions	Heater voltage	V_H	$5.0 \pm 0.2V$ AC/DC
	Circuit voltage	V_C	$5.0 \pm 0.2V$ DC
	Load resistance	R_L	variable 0.45k Ω min.
Electrical characteristics under standard test conditions	Heater resistance	R_H	approx 59 Ω at room temp.
	Heater current	I_H	56 \pm 5mA
	Heater power consumption	P_H	280mW $V_H=5.0V$ DC
	Sensor resistance	R_S	1.0~10.0k Ω in 1800ppm iso-butane
	Sensitivity (change ratio of R_S)		0.45~0.62 in iso-butane R_S (3000ppm) R_S (1000ppm)
Standard test conditions	Test gas conditions	iso-butane in air at 20 \pm 2 $^{\circ}$ C, 65 \pm 5%RH	
	Circuit conditions	$V_C = 5.0 \pm 0.01V$ DC $V_H = 5.0 \pm 0.05V$ DC	
	Conditioning period before test	7 days	

Structure and Dimensions:

TGS2610-C00

TGS2610-D00



u/m:mm

The value of power dissipation (P_S) can be calculated by utilizing the following formula:

$$P_S = \frac{(V_C - V_{RL})^2}{R_S}$$

Sensor resistance (R_S) is calculated with a measured value of $V_{OUT}(V_{RL})$ by using the following formula:

$$R_S = \left(\frac{V_C}{V_{RL}} - 1 \right) \times R_L$$

All sensor characteristics shown in this brochure represent typical characteristics. Actual characteristics vary from sensor to sensor. The only characteristics warranted are those in the Specification table above.

Pin connection:

- 1: Heater
- 2: Sensor electrode (-)
- 3: Sensor electrode (+)
- 4: Heater

FIGARO ENGINEERING INC.

1-5-11 Senba-nishi
Mino, Osaka 562 JAPAN
Phone: (81)-727-28-2561
Fax: (81)-727-28-0467
email: figaro@figaro.co.jp

REV: 11/13

Contact:

UNITRONIC AG
Mündelheimer Weg 9
40472 Düsseldorf

Telefon 0211 / 95 110
Telefax 0211 / 95 11 111
info@unitronic.de

UNITRONIC AG