

EM3870B - Evaluation Module for TGS3870

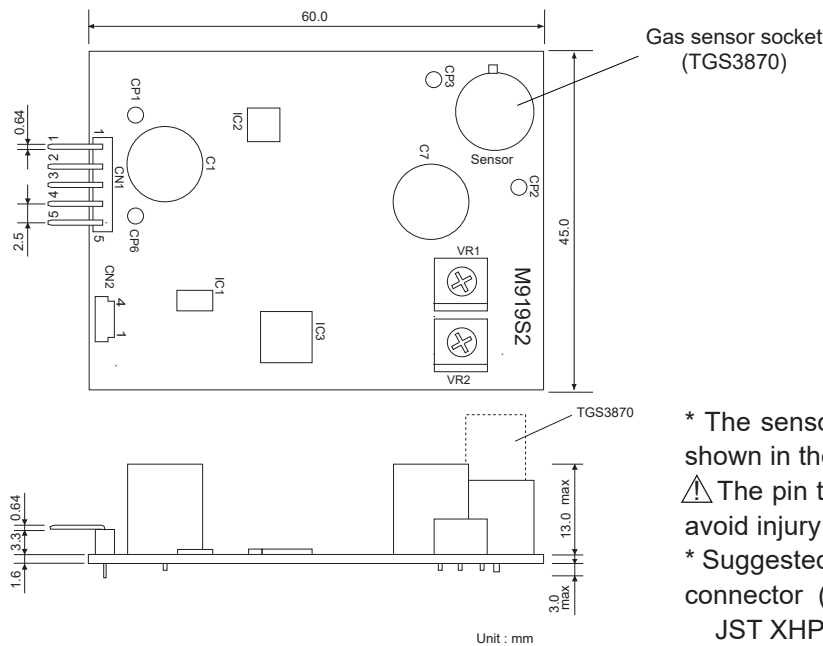
Description:

This module facilitates evaluation of the characteristics of the **TGS3870** gas sensor for the detection of both methane and carbon monoxide. Testing is simplified by using a continuous output signal generated by this module. While the driving mode of TGS3870 involves a 20-second heater cycle for intermittent detection, sensor response is converted into a continuous voltage signal by the software contained in the module's microprocessor.



* Sensor not included

Dimensions:

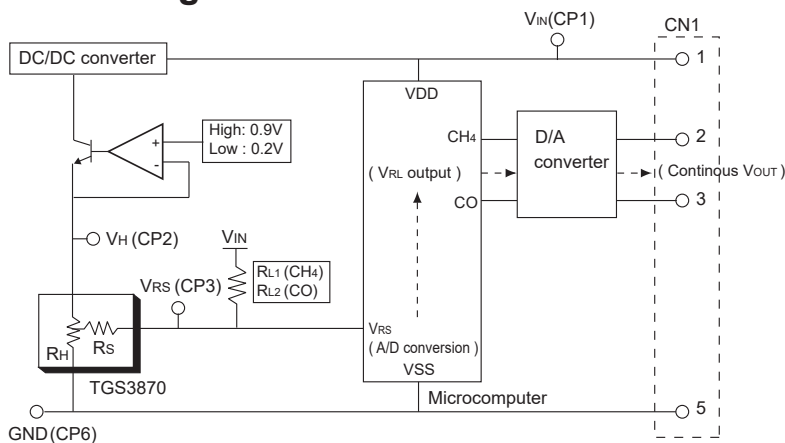


* The sensor is to be put in the sensor socket as shown in the above photo.

⚠ The pin tip of the sensor is sharp. Be careful to avoid injury when handling.

* Suggested female connectors mating to the 5 pin connector (JST MB5P-90S):
JST XHP-5P or JST 05JQ-BT

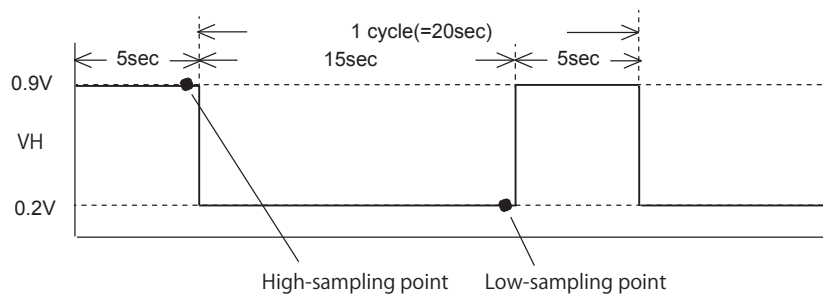
Circuit Diagram:



CN1 Pin Connections

Pin #	Label	Description	Specification
1	V _{IN}	Input voltage	4.9~5.1V DC
2	V _{OUT1}	Output (CH4)	VRL1
3	V _{OUT2}	Output (CO)	VRL2
4	NC	-	-
5	GND	Ground	-

Driving Condition:



Calculating sensor resistance (Rs) from measured Vout:

The VOUT1 and VOUT2 signals can be obtained by measuring the voltage between CN1 Pin #2 and Pin #5 for VOUT1, and between CH Pin #3 and Pin #5 for VOUT2 respectively (see CN1 Pin Connections). The VOUT values update once every 20 seconds per cycle. Sensor resistance (Rs) is calculated using the measured value of VOUT1 or VOUT2 according to the following formulas:

$$R_s(k\Omega) = \frac{V_{IN}-V_{OUT}}{V_{OUT}} \times R_L$$

$$R_s(k\Omega) = \frac{V_{IN}-V_{OUT1}}{V_{OUT1}} \times R_{L1} (CH4)$$

$$R_s(k\Omega) = \frac{V_{IN}-V_{OUT2}}{V_{OUT2}} \times R_{L2} (CO)$$

RL1 (CH4)	1.0kΩ
RL2 (CO)	10kΩ

Notes:

1. Evaluation use only

This module is designed for evaluation of the TGS3870 sensor only. Please do not use this module for any other purpose.

2. Power supply

Please apply the specified voltage to CN1 Pin #1 pin for proper sensor operation and performance. If excessive voltage or reverse voltage is applied to the module, the module or the sensor may be damaged.

Please note that there is no protection circuit in this module.

3. VR1 and VR2

Please do not adjust VR1 or VR2. These items have been adjusted so that standard driving conditions are applied to the sensor. If they are changed, the sensor may be damaged.

4. Impedance of equipment connected to CN1

The input impedance of equipment connected to the CN1 must be more than 1MΩ in order to make precise data acquisition.

FIGARO ENGINEERING INC.
 1-5-11 Senba-nishi
 Mino, Osaka 562-8505 JAPAN
 Phone: (81)-727-28-2045
 URL: www.figaro.co.jp/en/