

nanoANQ EA ER

1.2

NA-19-0371-0011

Document Information

Document Title:	nanoANQ EA ER
Document Version:	1.2
Current Date:	2021-10-26
Print Date:	2021-10-26
Document ID:	NA-19-0371-0011
Document Author:	MBO

Disclaimer

nanotron Technologies GmbH believes the information contained herein is correct and accurate at the time of release. nanotron Technologies GmbH reserves the right to make changes without further notice to the product to improve reliability, function or design. nanotron Technologies GmbH does not assume any liability or responsibility arising out of this product, as well as any application or circuits described herein, neither does it convey any license under its patent rights.

As far as possible, significant changes to product specifications and functionality will be provided in product specific Errata sheets, or in new versions of this document. Customers are encouraged to check the nanotron website for the most recent updates on products.

Trademarks

All trademarks, registered trademarks, and product names are the sole property of their respective owners.

This document and the information contained herein is the subject of copyright and intellectual property rights under international convention. All rights reserved. No part of this document may be reproduced, stored in a retrieval system, or transmitted in any form by any means, electronic, mechanical or optical, in whole or in part, without the prior written permission of nanotron Technologies GmbH.

Copyright © nanotron Technologies GmbH.

Contents

1. Introduction	4
2. Features	5
3. Functional Description	6
3.1. Dual Channel Core Locating Unit	6
3.2. Antenna Connectors	6
3.3. Status LEDs	6
3.4. Power Supply and Clock Sources	7
3.5. Interfaces and API	7
3.5.1. RF interface	7
3.5.2. Ethernet interface	7
3.5.3. USB interface	8
3.6. Over-the-Air Anchor Synchronization	8
3.7. Detection of Location Broadcasts	8
4. Installation Instructions	9
5. Housing	10
6. References	12
Figure 1-1: Structure of the nanoANQ EA ER anchor module	4
Figure 3-1: Block diagram of nanoANQ EA ER anchor module	6
Figure 5-1: nanoANQ EA ER housing with antennas	10
Figure 5-2: nanoANQ EA ER housing without SMA connectors	10
Table 3-1: RJ-45 signals, pin description	7
Table 3-2: USB signals, pin description	8

1. Introduction

The *nanoANQ EA ER* is an anchor for nanotron's UWB wireless Real Time Locating System (RTLS). It has been developed for use with nanotron's high throughput location and monitoring solutions in harsh environments. Together with UWB based tags and nanotron's Location Server nanoLES 3, it forms the basis for location-aware monitoring and management solutions

The anchor precisely detects the time of arrival (ToA) and received signal strength (RSSI) of tag blinks required for TDOA location applications. The nanoANQ EA ER is able to range with other anchors to automatically determine anchor separation distances – a key capability to enable automatic system set-up and maintenance.

Together with UWB tags and nanotron's Location Server, the embedded anchor module forms the basis for high throughput tracking and monitoring applications in harsh environments. The housing supports any UWB antenna through its SMA connectors. There is one connector for each of the two independent radio channels. Through its Ethernet port the anchor utilizes IP-based data and management protocols and features a built-in DHCP client. Thus it can be configured remotely through its API over the network.

Bidirectional payload exchange between the Location Server and individual tags is supported over the air.

In compliance with CE and other regulations the RF output power density is adjustable between -35 dBm/MHz to -62 dBm/MHz.

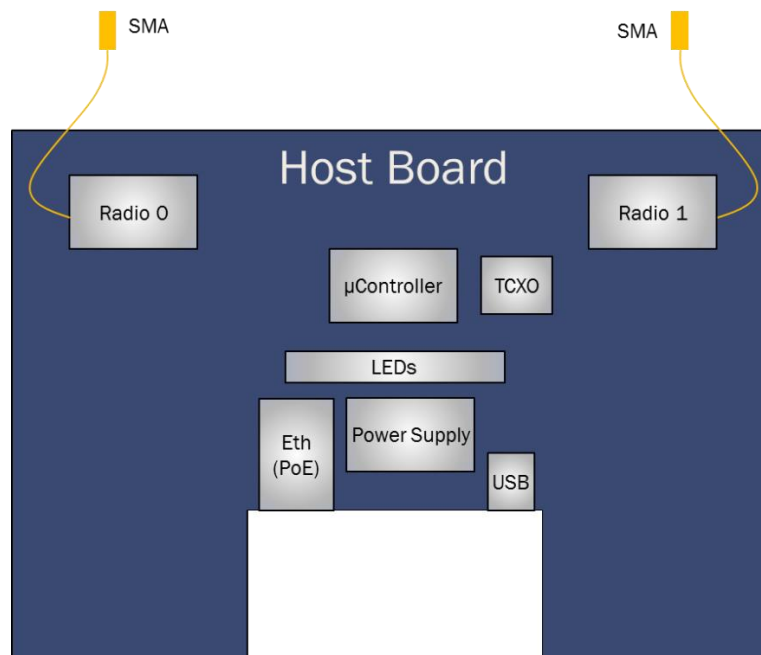


Figure 1-1: Structure of the nanoANQ EA ER anchor module

2. Features

Key Frequency Bands.....	6 bands with center frequencies from 3.5 to 6.5 GHz
Radio Data Rates.....	110 Kbps, 850 Kbps, 6.8 Mbps
Transmit power density adjustable.....	-35 dBm/MHz to -62 dBm/MHz
RF sensitivity @ 110 Kbps.....	-96 dBm typ.*
RF sensitivity @ 6.8 Mbps	-84 dBm typ.*
RF interface	2 SMA connectors
Data interface:.....	Ethernet 10BaseT/100BaseTX,USB, full speed 480 Mbit/s (maintenance only)
Supply voltages:.....	+48 V Power over Ethernet (recommended), +5 V USB
Power consumption:	Power over Ethernet: 5 W max. Classified as PD Class2 according to IEEE 802.3af (3.84 W... 6.49 W) USB 1000 mA max.**
Connectors:.....	1 x RJ45 Ethernet with PoE 1 x Mini USB Type B
Operating temperature.....	-30°C to +70°C
Dimensions	202 mm x 194 mm x 75 mm without mounting options
Weight.....	800 g without mounting options

* Mode dependent

** Requires a power device able to deliver 1 A and a cable not longer than 1 m

3. Functional Description

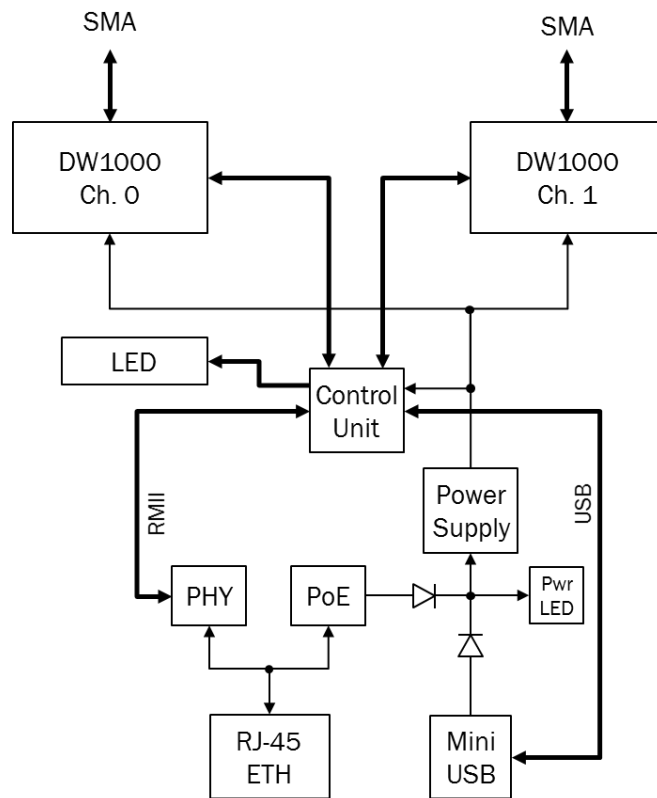


Figure 3-1: Block diagram of nanoANQ EA ER anchor module

3.1. Dual Channel Core Locating Unit

The core locating unit consists of two independent RF channels and the control unit. It captures incoming chirp spread spectrum (CSS) tag broadcasts and determines their time of arrival (ToA).

3.2. Antenna Connectors

Each of the two RF channels features a SMA connector to allow any other external antenna connector to be used with the anchor module.

Important Note: Before assembling or disassembling the antenna(s), it is imperative that the device is completely switched –off and disconnected from any power source. Nor shall the antenna be handled during operation. Otherwise, damage to circuitry may occur for which nanotron does not assume any liability.

3.3. Status LEDs

Four onboard status LEDs are used to signal different operation modes of the anchor module such as transmit or receive. The assignment of the LEDs to certain operating states is done by software (cf. nanoANQ User Guide [1]). Other five status LEDs are used to signal different operation modes of the anchor such as transmit, receive, alive or power on/off. The other eight LEDs are freely configurable via software.

3.4. Power Supply and Clock Sources

The anchor module can be operated via two alternative power supply sources either via the recommended PoE (Power over Ethernet) or optionally via USB. All required supply voltages are derived internally from the power supply unit. All clocks are generated on board. The USB power supply must be able to deliver at least 1 A at 5 Volts and cable not longer than 1 m to operate properly.

3.5. Interfaces and API

The anchor module is equipped with the required nanoANQ RTLS firmware to enable the module to operate in nanotron's RTLS solution. The firmware can be updated via the module's Ethernet interface using the pre-flashed anchor firmware bootloader. For detailed information on how to upgrade anchor module firmware see the nanoANQ user guide [1].

3.5.1. RF interface

The RF interface for channel 0 (A) and channel 1 (B) consists of SMA connectors. The maximal output power density of -41.3 dB/MHz is provided into a 50 Ω load impedance. Deviating loads can cause lower output power and higher operating current. Directly connected antennas should have a reflection factor not higher than 2.

The RF ports of the embedded anchor module are single-ended and have an impedance of 50 Ohm. It is decoupled from DC. This RF ports must be connected to an external antenna. Different types of antenna can be used.

The TX output power is not fixed to -41.3 dBm/MHz in all modes. Only mode 15 (channel 5, 6.8 Mbps) is calibrated to -41.3 dBm/MHz at the RF port and doesn't include any antenna gain or loss. Therefore it must be adjusted to match the national regulations. All other channels are not calibrated and will vary from module to module. To comply with regional regulations it is necessary to adjust the RF-power of each device accordingly, including antenna. How to set the different channels with the associated transmission rates and the output power is explained in the application note [2].

See also the note in section 3.2.

3.5.2. Ethernet interface

The host board provides an Ethernet 10BaseT/100BaseTX interface via a RJ-45 connector. Further, it provides Power over Ethernet (PoE) 48 V which is the recommended power source of the anchor.

Table 3-1: RJ-45 signals, pin description

Pin No.	Pin Name	Pin Description
1	TX +	Data
2	TX -	Data
3	RX +	Data
4	VDC +	PoE
5	VDC +	PoE
6	RX -	Data
7	VDC -	PoE
8	VDC -	PoE

3.5.3. USB interface

The anchor includes a USB 2.0 full speed interface for **maintenance** purposes **only**. It provides an alternative power supply 5 V source when PoE is not available. Therefore it has a mini USB-B type connector. Except optional external protection circuits against surge and lightning, the USB interface needs no additional components.

Table 3-2: USB signals, pin description

Pin No.	Pin Name	Pin type	Pin Description
1	USB_OTG_FS_VBUS	I	USB Bus voltage
2	USB_OTG_FS_DM	I/O	USB differential serial data line
3	USB_OTG_FS_DP	I/O	USB differential serial data line
4	USB_OTG_FS_ID	I	USB connector identification
5	GND	-	circuit ground

3.6. Over-the-Air Anchor Synchronization

The anchor module supports nanotron's synchronization method "Sea-of-Anchors" required for operating the device as part of a TDOA localization solution in conjunction with the appropriate location engine and server software.

3.7. Detection of Location Broadcasts

Tags that are part of the nanotron RTLS platform can send out location broadcasts periodically in three different modes: 80 MHz with 1 μ s symbol length (80/1), 80 MHz with 4 μ s symbol length (80/4), and 22 MHz with 4 μ s symbol length (22/4). 1 μ s symbols require only one fourth of the airtime of 4 μ s symbols. The 80/4 and 22/4 transmission modes provide 6 dB more link budget. Hence 80/1 is recommended for high tag densities and 80/4 or 22/4 is used when maximizing the anchor to tag range is the most important requirement.

The time of arrival (ToA) of tag broadcasts are captured by the anchor module with better than 1 ns resolution and detection rate of more than 900 per second. Through air radio waves travel 30 cm in 1 ns. ToAs from different anchor modules are used to calculate the time difference of arrival (TDoA). Several TDoAs results are combined to estimate the tag position.

4. Installation Instructions

Unless the anchor is installed in accordance with this installation guide the IP Rating cannot be guaranteed.

Installation steps:

- 1) Install bracket at desired location using appropriate screws for point of attachment.
- 2) Connect each antenna to the two SMA connectors
- 3) Connect required cables into the anchor.
The cable shall have a diameter of 6 mm ($\pm 10\%$)
- 4) Ensure cables are in cable slots and close rear cover.
- 5) Secure cover using screws supplied. Tighten screws to a torque of 0.65 Nm
- 6) Connect anchor to the bracket installed in 1 above

The IP rating of this anchor will be invalid if the cable access cover is removed and re-installed. As with any IP rating, the seal should only be compressed once. Otherwise, there is no guarantee of maintaining the IP status.

5. Housing



Figure 5-1: nanoANQ EA ER housing with antennas

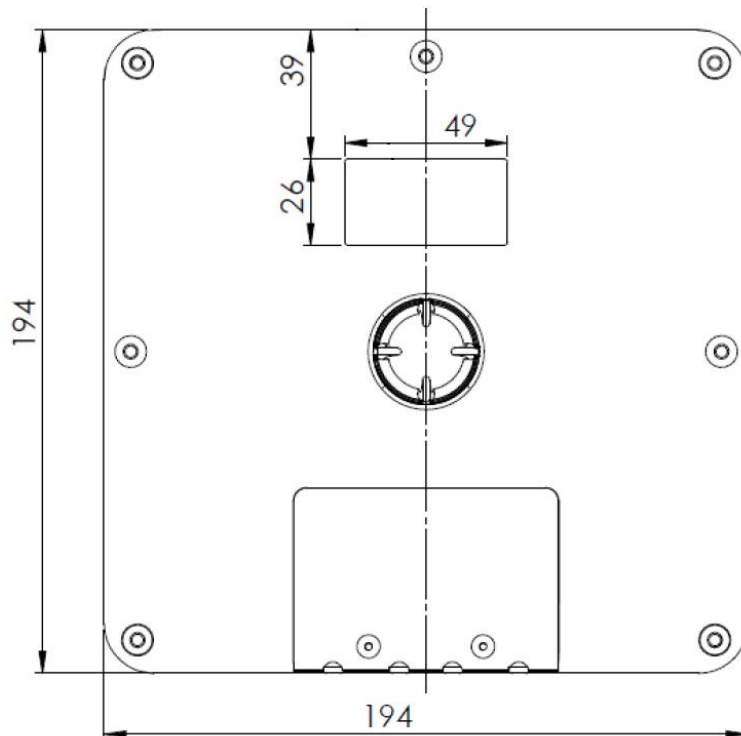


Figure 5-2: nanoANQ EA ER housing without SMA connectors

6. References

- [1] Nanotron nanoANQ User Guide
- [2] Application Note Doc ID NA-19-0371-0004

Document History

Date	Author	Version	Description
2019-05-07	MBO	1.0	Initial version
2019-06-21	MBO	1.1	<ul style="list-style-type: none">• Added required performance of the USB power supply• Note how to handle antenna(s) added in sect. 3.2• Editorial improvements
2019-09-10	MBO	1.2	<ul style="list-style-type: none">• Added Ordering Information in header

Life Support Policy

These products are not designed for use in life support appliances, devices, or systems where malfunction of these products can reasonably be expected to result in personal injury. Nanotron Technologies GmbH customers using or selling these products for use in such applications do so at their own risk and agree to fully indemnify nanotron Technologies GmbH for any damages resulting from such improper use or sale.

Sales Inquiries

nanotron Technologies GmbH
Alt-Moabit 60a
10555 Berlin, Germany

Europe/Asia/Africa: +49 (30) 399954-0
USA/Americas/Pacific: +1 (339) 999-2994
Mail: nanotronsales@inpixon.com
Web: www.nanotron.com, www.inpixon.com

About nanotron, An Inpixon Company

Nanotron Technologies GmbH, an Inpixon company (Nasdaq: INPX) is a leading provider of electronic location awareness solutions. If knowing what, where and when is mission-critical to your business, rely on nanotron with Location Running.

Nanotron's solutions deliver precise position data augmented by context information in real-time. Location Running means, reliably offering improved safety and increased productivity, 24 hours a day, 7 days per week: Location-Awareness for the Internet of Things (IoT).