

EM-FECS(B) - Evaluation Module for FECS-series Sensors

Description:

The EM-FECS(B) evaluation module is designed to perform the testing and evaluation of the three-electrode electrochemical gas sensors in the FECS-series. Since the output voltage (V_{OUT}) corresponding to the sensitivity characteristics can be obtained, the characteristics of the FECS sensor can be easily evaluated.

Operation:

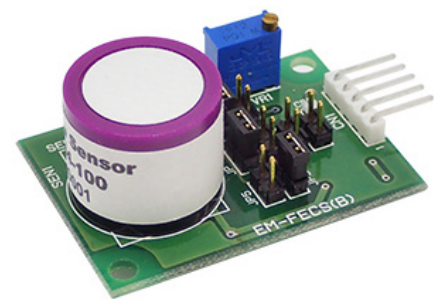
The FECS-series sensor is placed into the sensor socket on the EM-FECS(B). If target gas is present, the output current generated from the FECS-series sensor ⁽¹⁾ is converted into output voltage. A linear relationship exists between output voltage and target gas concentration. By measuring in advance the output voltage in a known target gas concentration, that gas concentration can be calculated from the measured output voltage values. ⁽²⁾

¹ For more detailed specifications of FECS-series sensors, refer to *Product Information* for each model.

² The main function of this module is to simply convert sensor output current into voltage output without temperature compensation.

Features:

- * Compatible with all FECS-series sensors
- * Converts sensor output current to voltage output
- * Selectable load resistors depending on sensor model
- * Anti-polarization circuit during power OFF period

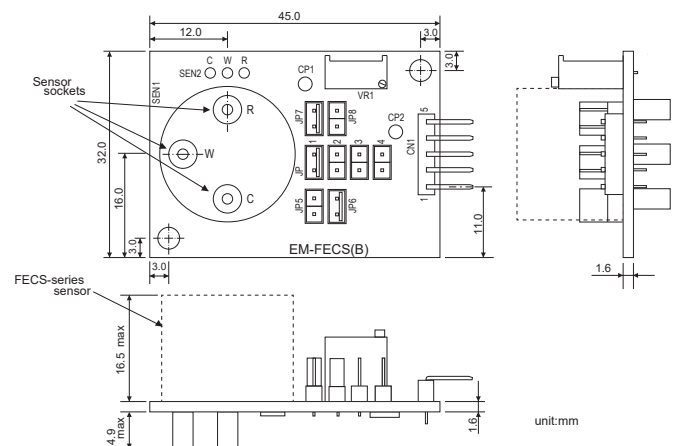


* Sensor not included

Specifications:

Item	Specification
Model No.	EM-FECS(B)
Product name	Evaluation module for FECS-series sensors
Target gases	CO (FECS40-1000) NO (FECS41-250) NO ₂ (FECS42-20) SO ₂ (FECS43-20) NH ₃ (FECS44-100/200/1000/5000) Cl ₂ (FECS45-10) H ₂ S (FECS50-100)
Input voltage range (V _{IN})	5.0 ± 0.2V DC
Current consumption	<2.0mA
Output voltage (V _{OUT})	- 1.00±0.05V DC in zero air [FECS40-1000, FECS41-250, FECS43-20, FECS50-100, FECS44-100/200/1000/5000] - 2.50±0.05V DC in zero air [FECS42-20, FECS45-10]
Operating conditions	0~60°C, <95%RH (no condensation) For more details of operating conditions, refer to Product Information for each model.

Dimensions:

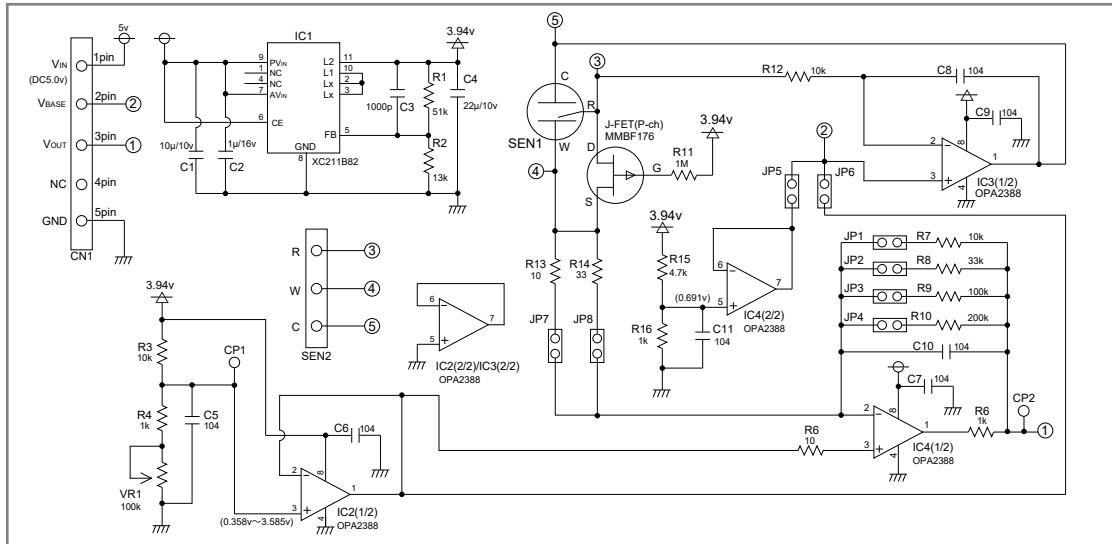


*FECS-series sensor is to be put in the sensor socket as shown in the above photo.

*Suggested female connectors mating to the 5-pin connector (JST MB5P-90S):

JST XHP-5P or JST 05JQ-BT

Schematic Diagram:



Jumper Pin and Base Voltage Settings^{(*)3}

Sensor Model No.	Target gases		Amplifying factor for I-V conversion		Bias voltage		Base voltage	Volume adjustment	Recommended load resistor (Ω)		
			JP1		JP6				JP7		
FECS40-1000	CO	Carbon Monoxide	JP1	10,000 x	JP6	-	1.00V	No need	JP7	10	
FECS41-250	NO	Nitric Oxide			JP5	+300mV					
FECS42-20	NO ₂	Nitrogen Dioxide	JP3	100,000 x	JP6	-	2.50V	Necessary ^{(*)4}	JP8	33	
FECS43-20	SO ₂	Sulphur Dioxide									
FECS44-100	NH ₃	Ammonia	JP4	200,000 x				1.00V	No need	JP8	33
FECS44-200			JP3	100,000 x							
FECS44-1000			JP2	33,000 x							
FECS44-5000											
FECS45-10	Cl ₂	Chlorine	JP4	200,000 x			2.50V	Necessary ^{(*)4}			
FECS50-100	H ₂ S	Hydrogen Sulfide	JP1	10,000 x			1.00V	No need	JP7	10	

^{*)3} Jumper pins are connected to JP1, JP6 and JP7 respectively at time of factory setting.

^{*)4} Base voltage adjustment method: Please adjust base voltage to 2.5V by VR1 while measuring the voltage value between VBASE (Pin 2) and GND (Pin 5).

Pin connections:

Pin No.	Name	Description	
1	VIN	Input voltage	5.0±0.2V DC
2	VBASE	Base output voltage	1.00V±0.05V at time of factory setting
3	VOUT	Output voltage	
4	-	No connection	
5	GND	Ground	

Sensor output current I_s (μA) is calculated from output voltage V_{OUT} (V) between Pin #3 (VOUT) and Pin #5 (GND) using the following formula:

$$I_s = ((V_{OUT}[Gas] - V_{OUT}[Air]) / I\text{-V conversion amp. factor}) \times 10^6$$

where: $V_{OUT}[Air]$: sensor output voltage in zero air
 $V_{OUT}[Gas]$: sensor output voltage in target gas

Example: When output voltage of FECS 50-100 (typical sensitivity of 0.7μA for H₂S) are as follows:

$$\begin{aligned} V_{OUT}[Air] &= 1.00V \\ V_{OUT}[Gas] &= 1.7V \\ I_s &= ((1.7-1.0)/10,000) \times 10^6 \approx 70\mu A \end{aligned}$$

* The calculated I_s value corresponds to the sensor output in around 100ppm H₂S.

FIGARO ENGINEERING INC.
 1-5-11 Senba-nishi
 Mino, Osaka 562-8505 JAPAN
 Phone: (81)-727-28-2045
 URL: www.figaro.co.jp/en/

Caution:
 This module is designed for evaluation of the FECS-series sensors only. Please do not use this module for any other purpose.