

2JW0515-915-C952B

915 MHz ISM Connector Mount

Key Features

915 MHz ISM

- 902-928 MHz

Connector Mount

Ground Plane Independent

Hinged Connector

Dimensions 173 × Ø 10 mm



1. Antenna and electrical specifications

Parameters	915 MHz ISM Antenna
Standards	ZigBee, ISM
Band (MHz)	915 MHz
Frequency (MHz)	902-928
Return Loss (dB)	~-7.8
VSWR	~2.4:1
Efficiency (%)	~68.2
Peak Gain (dBi)	~2.0
Average Gain (dB)	~-1.7
Impedance (Ohm)	50
Polarisation	Linear
Radiation Pattern	Omni-Directional
Max. Input Power (W)	25
Connector Type	SMA-Male Standard

Antenna Measurement Conditions:

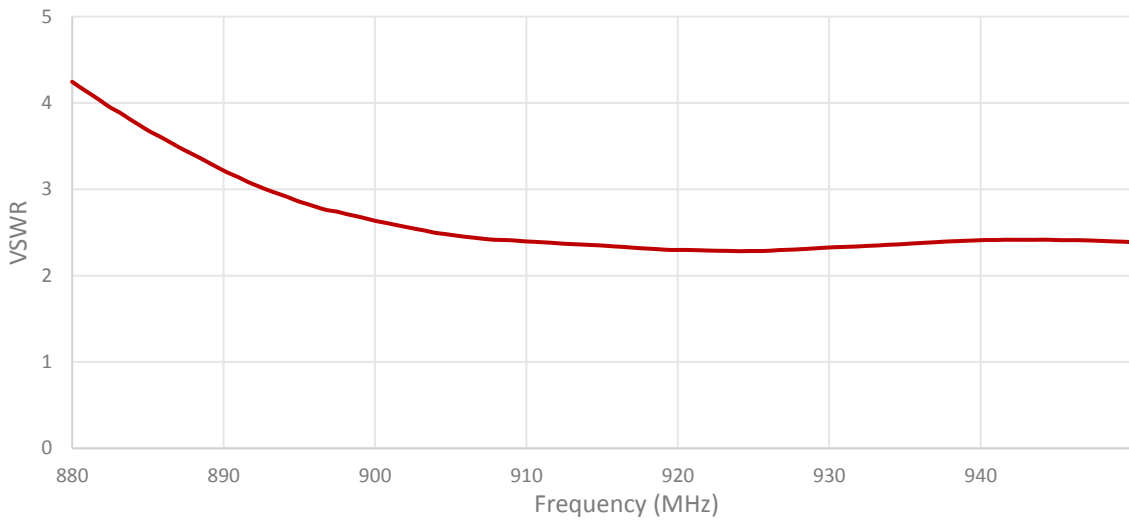
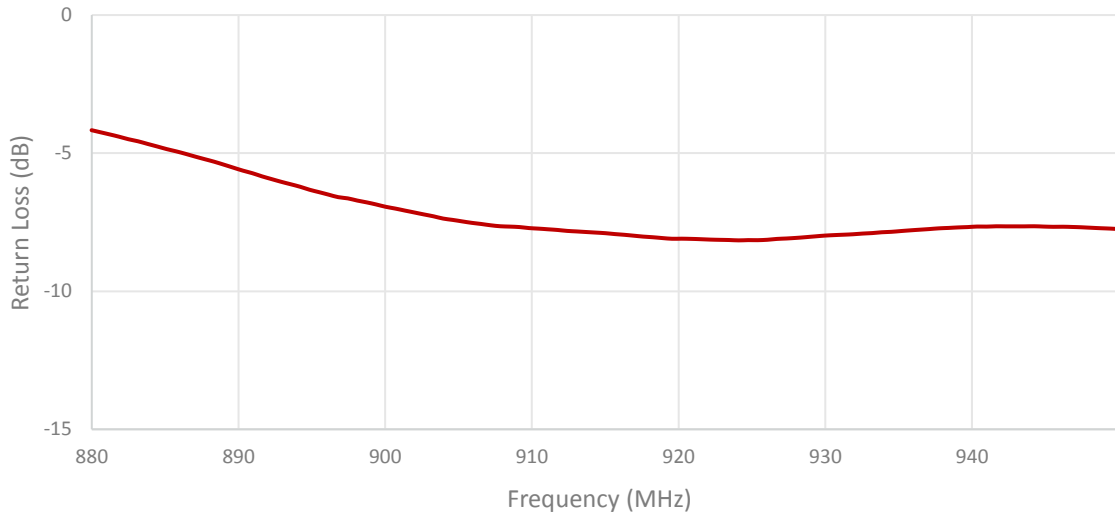
Free Space

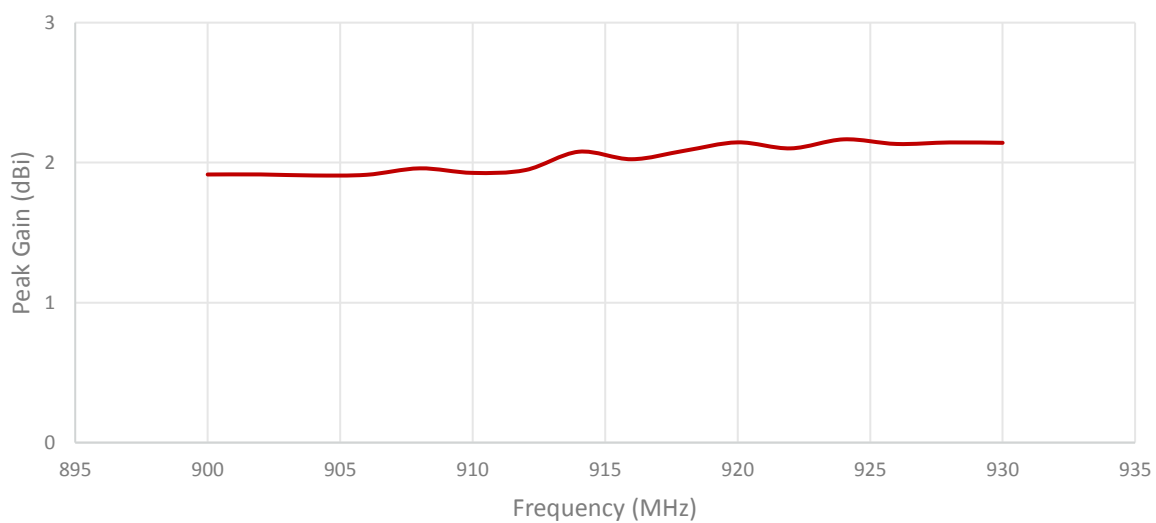
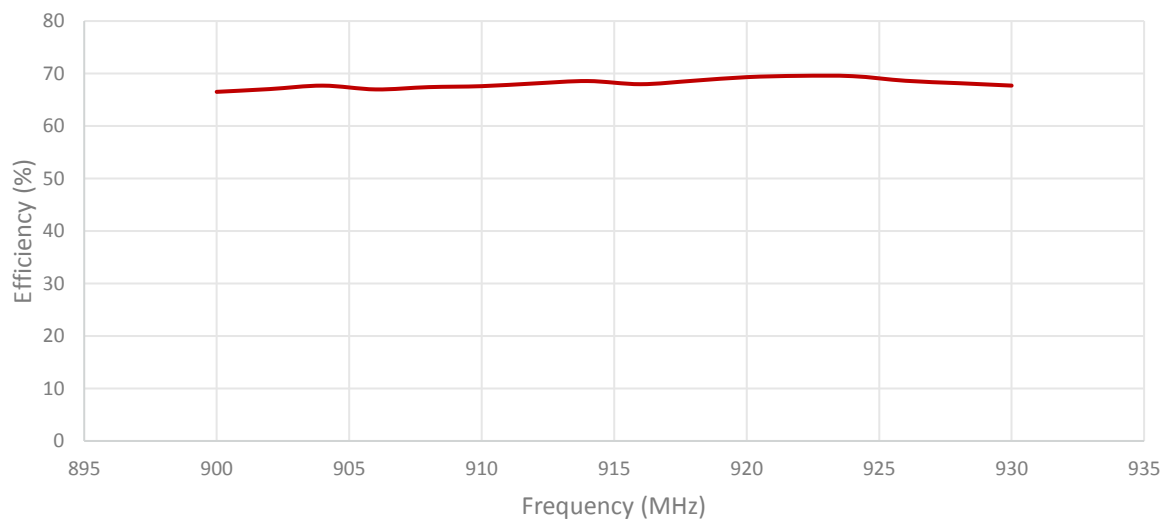
Measured in Certified CTIA 3D Anechoic Chamber

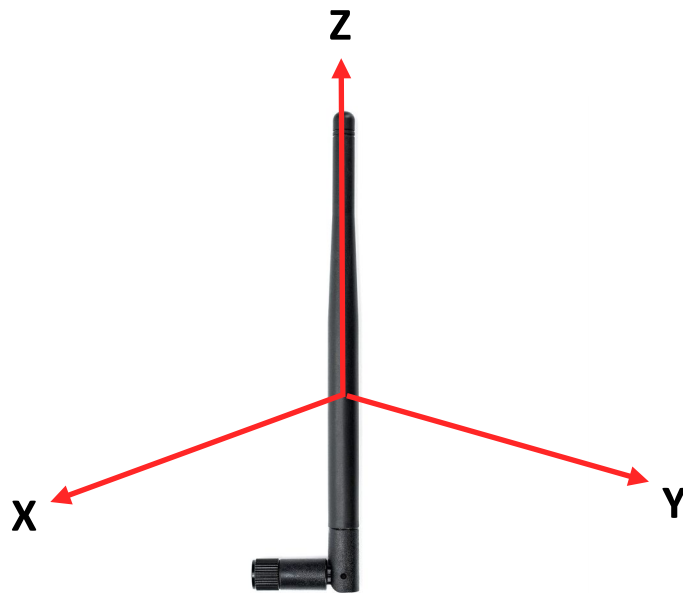
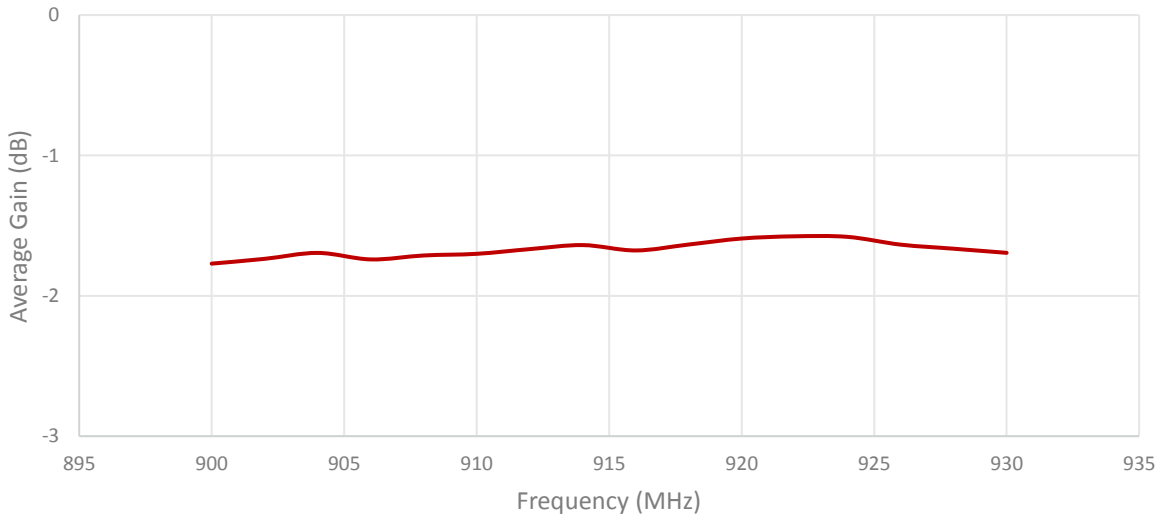
2. Mechanical and environmental specifications

Specifications	2JW0515-915-C952B
Mounting Type	Connector Mount
Dimensions (mm)	173 × Ø 10
Radome	TPE
Radome color	Black
Connector Feature	Hinged
Operating Temperature (C)	-40 to +85
Storage Temperature (C)	-40 to +85
Substance Compliance	RoHS

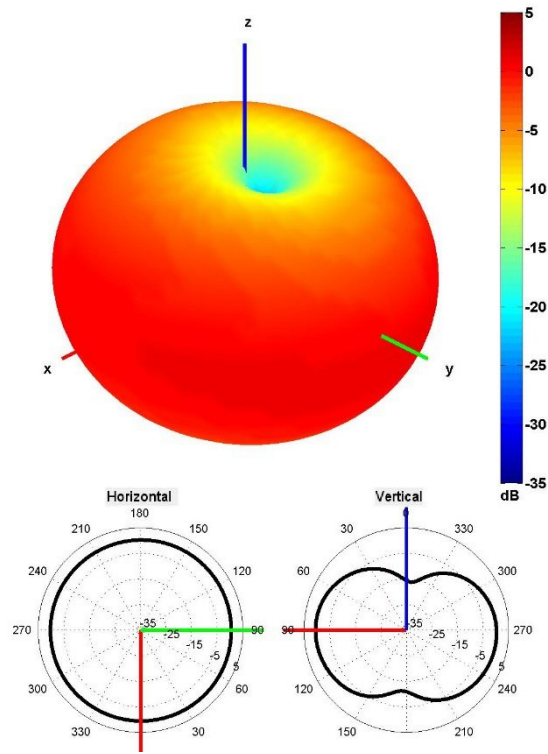
3. Antenna parameters





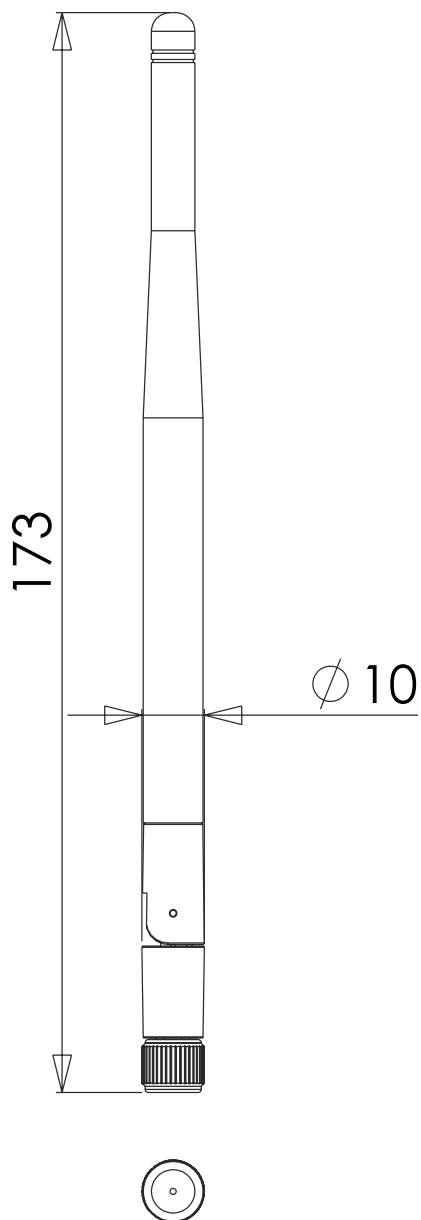


Radiation pattern reference



915 MHz Radiation pattern

4. Antenna drawings



5. Antenna Images

